

4 3 2 1

F

F

E

E

D

D

C

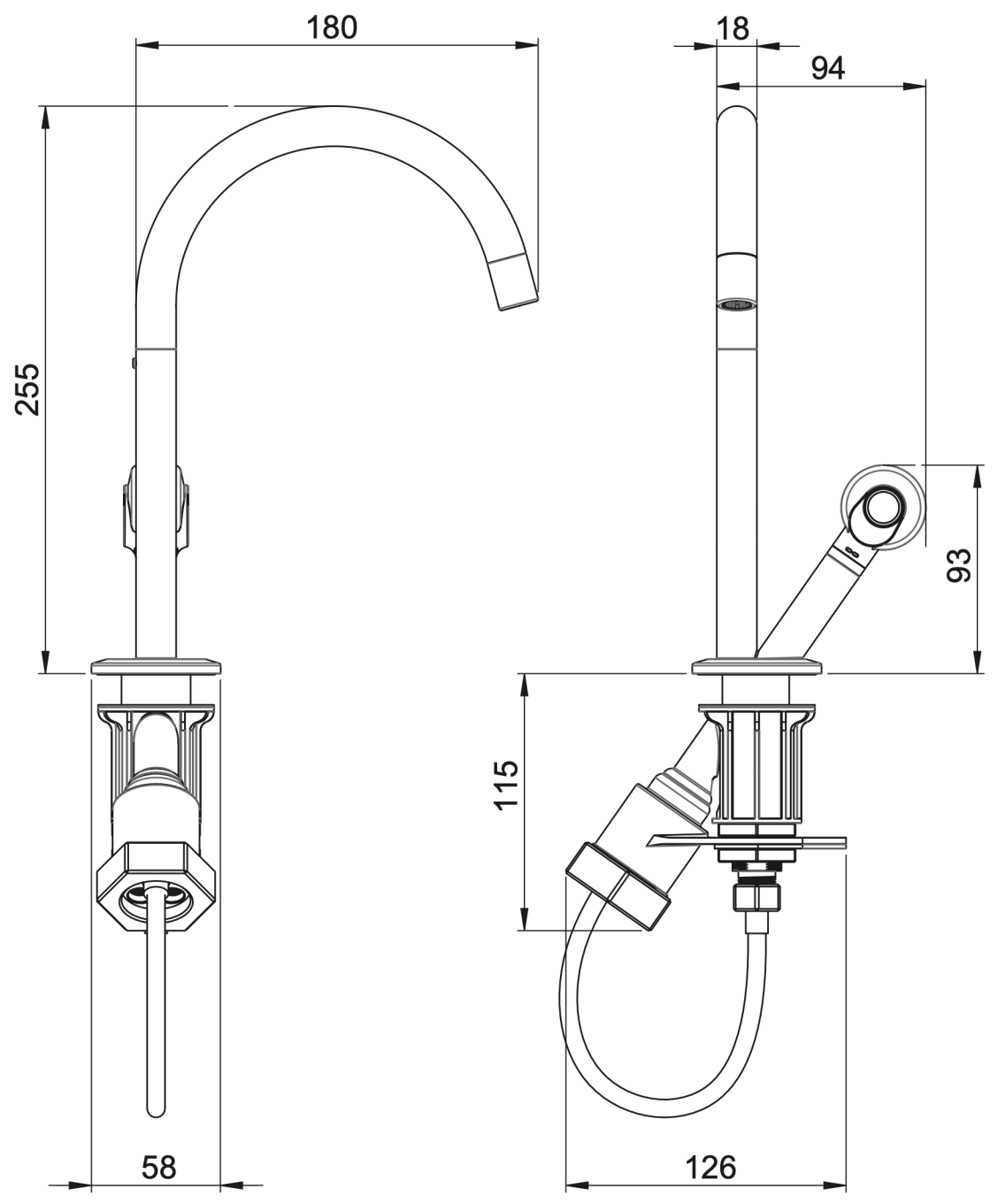
C

B

B

A

A



UNLESS OTHERWISE SPECIFIED:
 DIMENSIONS ARE IN MILLIMETERS
 SURFACE FINISH:
 TOLERANCES:
 LINEAR:
 ANGULAR:

ERGONOMIX

2021 All rights reserved ©
 Ergonomix Concept E.G. Ltd. | E. R. RimoniX Technologies Ltd.

DEBURR AND
 BREAK SHARP
 EDGES

DO NOT SCALE DRAWING

REVISION

	NAME	SIGNATURE	DATE	
DRAWN				
CHK'D				
APPV'D				
MFG				
Q.A				

TITLE:
Black swan

DWG NO. A4

SCALE: SHEET 1 OF 1

4 3 2 1