

4

3

2

1

F

F

E

E

D

D

C

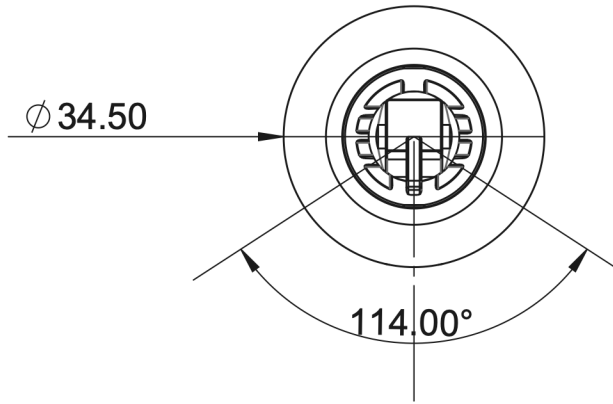
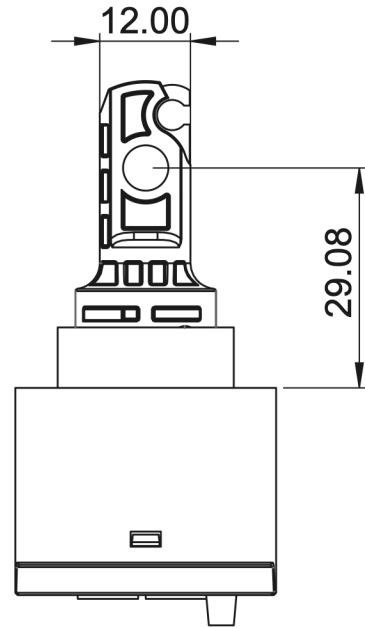
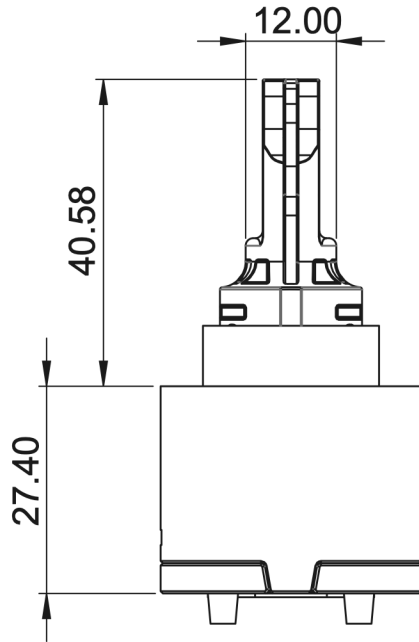
C

B

B

A

A



UNLESS OTHERWISE SPECIFIED:  
 DIMENSIONS ARE IN MILLIMETERS  
 SURFACE FINISH:  
 TOLERANCES:  
 LINEAR:  
 ANGULAR:

**ERGONOMIX**

2021 All rights reserved ©  
 Ergonomix Concept E.G. Ltd. | E. R. RimoniX Technologies Ltd.

DEBURR AND  
 BREAK SHARP  
 EDGES

DO NOT SCALE DRAWING

REVISION

NAME	SIGNATURE	DATE	
DRAWN			
CHK'D			
APPV'D			
MFG			
Q.A			
		MATERIAL:	
		WEIGHT:	

TITLE:

**ERG-029**

DWG NO.

A4

SCALE:

SHEET 1 OF 1

4

3

2

1