

4

3

2

1

F

F

E

E

D

D

C

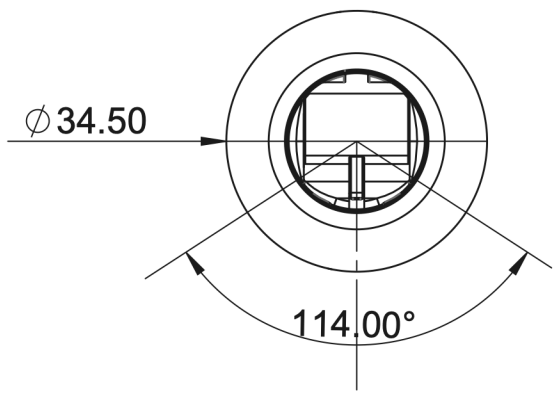
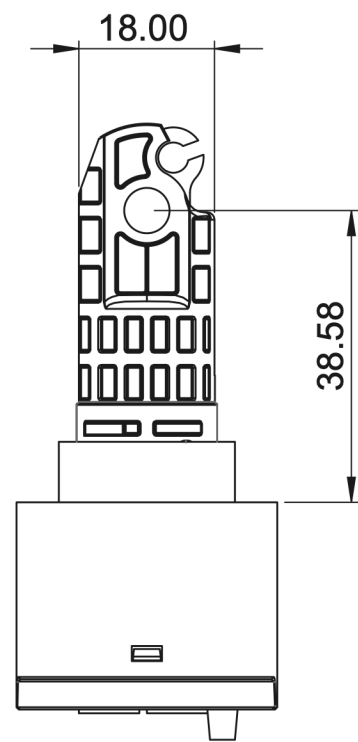
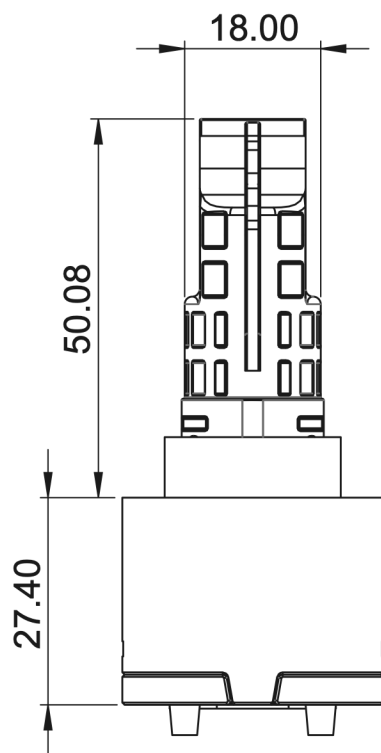
C

B

B

A

A



| | | | | | | | | | | | | | |
|---|--|--|--|---|--|------------------------------------|--|----------------------|--|--------------|--|-----------|--|
| UNLESS OTHERWISE SPECIFIED: DIMENSIONS ARE IN MILLIMETERS SURFACE FINISH: TOLERANCES: LINEAR: ANGULAR: | | | | ERGONOMIX <small>2021 All rights reserved © ErgonomIX Concept E.G. Ltd. E. R. RimoniX Technologies Ltd.</small> | | DEBURR AND BREAK SHARP EDGES | | DO NOT SCALE DRAWING | | REVISION | | | |
| | | | | | | | | ERG-039 | | | | | |
| | | | | | | | | | | | | TITLE: | |
| | | | | | | | | | | | | MATERIAL: | |
| | | | | | | | | | | | | DWG NO. | |
| | | | | | | | | | | | | A4 | |
| | | | | | | | | SCALE: | | SHEET 1 OF 1 | | | |

4

3

2

1