

4

3

2

1

F

F

E

E

D

D

C

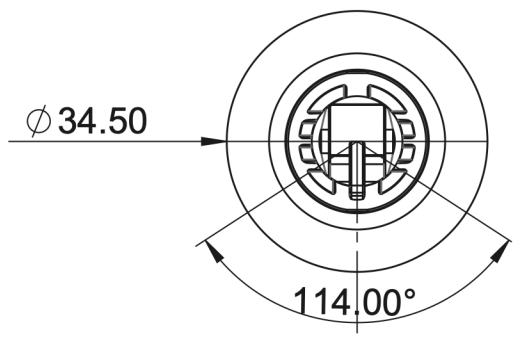
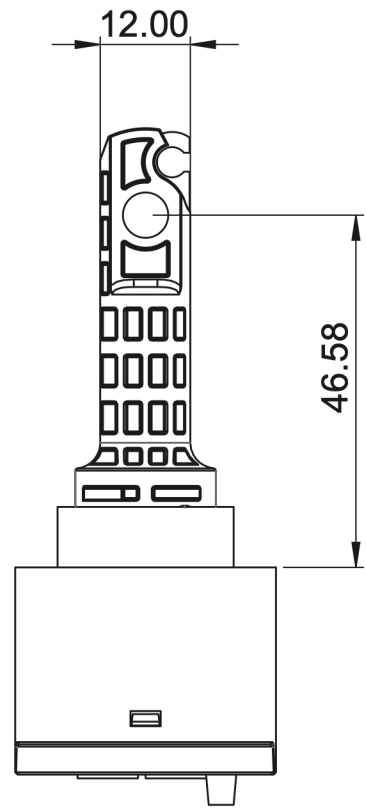
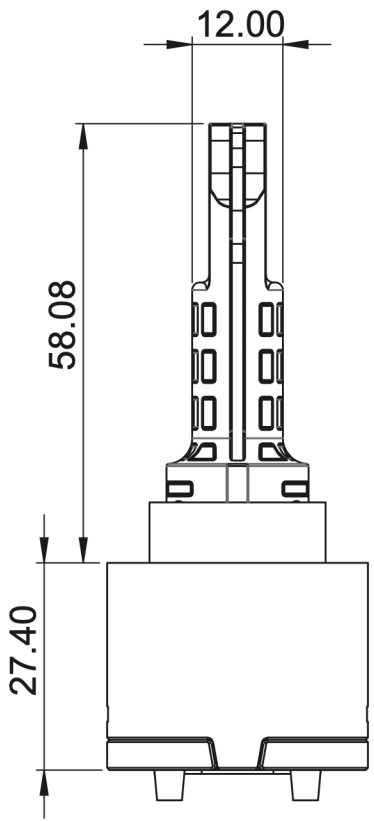
C

B

B

A

A



UNLESS OTHERWISE SPECIFIED:
 DIMENSIONS ARE IN MILLIMETERS
 SURFACE FINISH:
 TOLERANCES:
 LINEAR:
 ANGULAR:

ERGONOMIX
 2021 All rights reserved ©
 Ergonomix Concept E.G. Ltd. | E. R. RimoniX Technologies Ltd.

DEBURR AND
 BREAK SHARP
 EDGES

DO NOT SCALE DRAWING

REVISION

	NAME	SIGNATURE	DATE	
DRAWN				
CHK'D				
APPV'D				
MFG				
Q.A				
				MATERIAL:
				WEIGHT:

TITLE:
ERG-047

DWG NO.

SCALE:

SHEET 1 OF 1

A4

4

3

2

1