

4

3

2

1

F

F

E

E

D

D

C

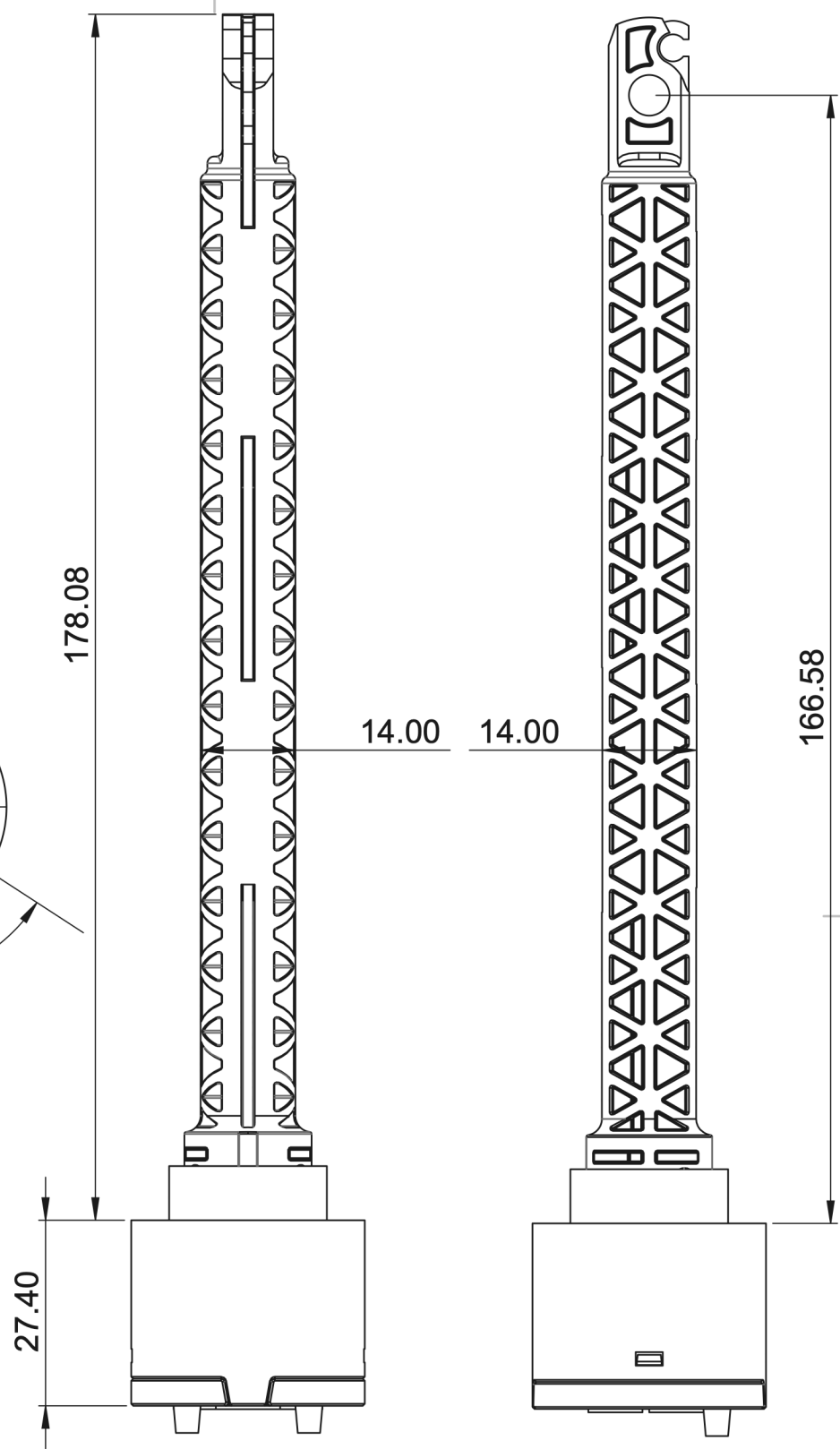
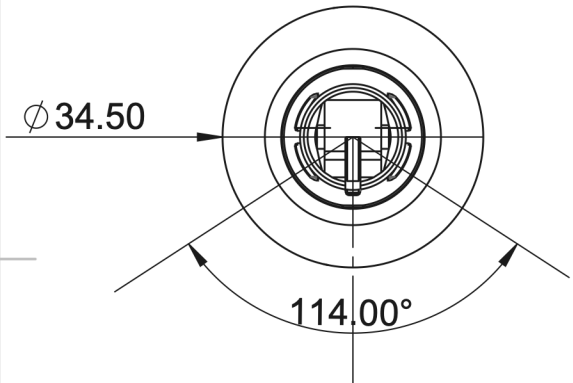
C

B

B

A

A



UNLESS OTHERWISE SPECIFIED: DIMENSIONS ARE IN MILLIMETERS SURFACE FINISH: TOLERANCES: LINEAR: ANGULAR:				ERGONOMIX <small>2021 All rights reserved © Ergonomix Concept E.G. Ltd. E. R. RimoniX Technologies Ltd.</small>		DEBURR AND BREAK SHARP EDGES		DO NOT SCALE DRAWING		REVISION	
DRAWN				SIGNATURE				TITLE: ERG-167			
CHK'D				DATE				MATERIAL:			
APPV'D				MATERIAL:				DWG NO.			
MFG				WEIGHT:				SCALE:			
Q.A				WEIGHT:				SHEET 1 OF 1			

4

3

2

1