

4

3

2

1

F

F

E

E

D

D

C

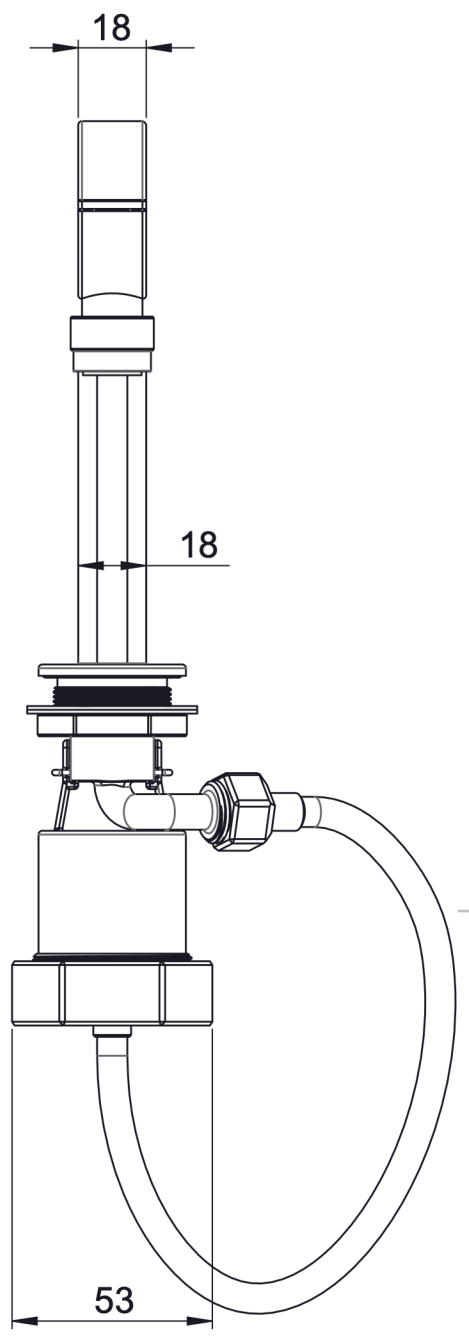
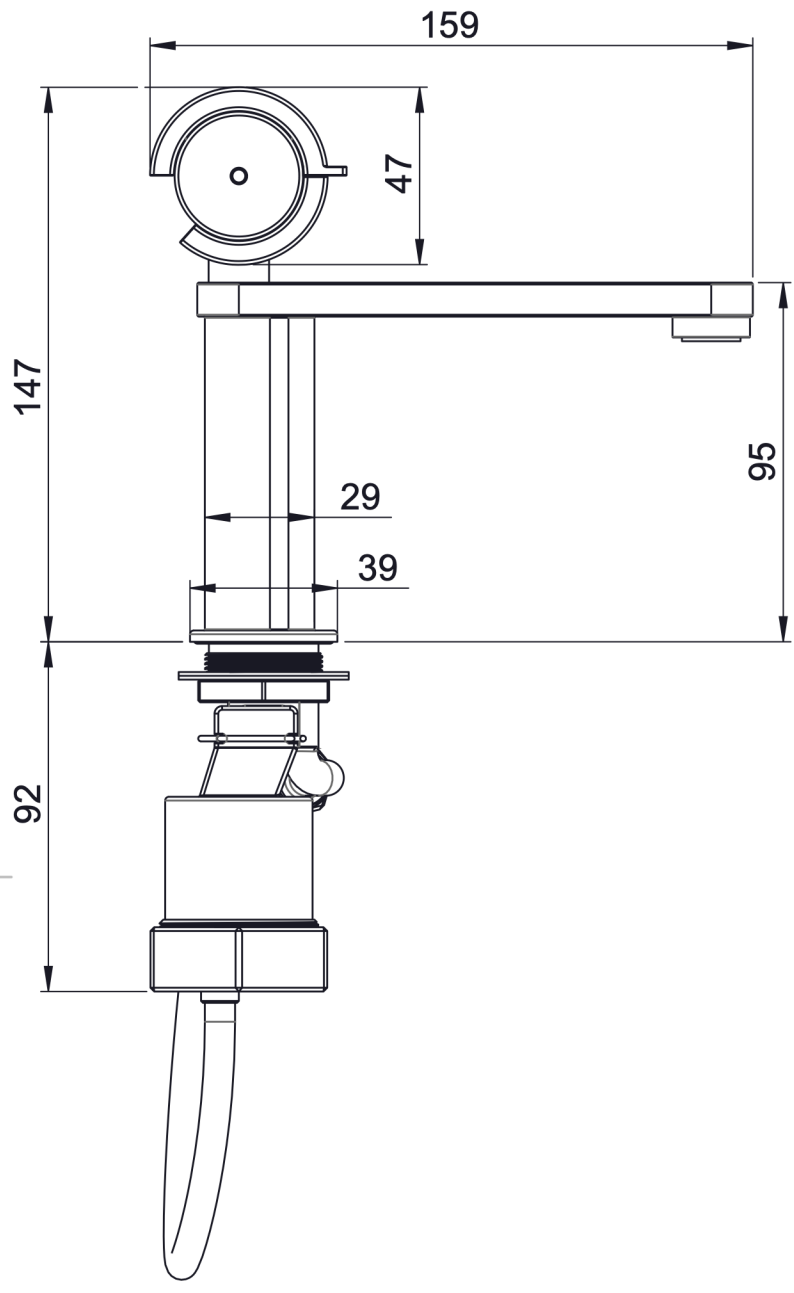
C

B

B

A

A



UNLESS OTHERWISE SPECIFIED:
 DIMENSIONS ARE IN MILLIMETERS
 SURFACE FINISH:
 TOLERANCES:
 LINEAR:
 ANGULAR:

ERGONOMIX

2021 All rights reserved ©
 Ergonomix Concept E.G. Ltd. | E. R. RimoniX Technologies Ltd.

DEBURR AND
 BREAK SHARP
 EDGES

DO NOT SCALE DRAWING

REVISION

	NAME	SIGNATURE	DATE	
DRAWN				
CHK'D				
APPV'D				
MFG				
Q.A				

TITLE:
Parakeet

DWG NO. _____

MATERIAL: _____

WEIGHT: _____

SCALE: _____

A4

SHEET 1 OF 1

4

3

2

1